

Surname	Centre Number	Candidate Number
First name(s)		0



**GCSE**



S24-3420U30-1C

**MONDAY, 8 JANUARY – FRIDAY, 9 FEBRUARY 2024**

**PHYSICS – Unit 3 (3420U30)**

**PRACTICAL ASSESSMENT**

**INVESTIGATING THE MOTION OF A FALLING OBJECT**

**SECTION A**

1 hour

For Examiner's use only		
	Maximum Mark	Mark Awarded
Section A	6	

3420U301C  
01

**ADDITIONAL MATERIALS**

A calculator.

**INSTRUCTIONS TO CANDIDATES**

Use black ink or black ball-point pen. Do not use gel pen or correction fluid.

You may use a pencil for graphs and diagrams only.

Write your name, centre number and candidate number in the spaces at the top of this page.

Answer **all** questions.

Write your answers in the spaces provided in this booklet. If you run out of space, use the additional page(s) at the back of the booklet, taking care to number the question(s) correctly.

**INFORMATION FOR CANDIDATES**

The total number of marks available for this section of the task is 6.

The number of marks is given in brackets at the end of each question or part-question.

This task is in 2 sections, **A** and **B**. You will complete Section **A** in one lesson and Section **B** in the next science lesson.



JUN243420U301C01

## Introduction

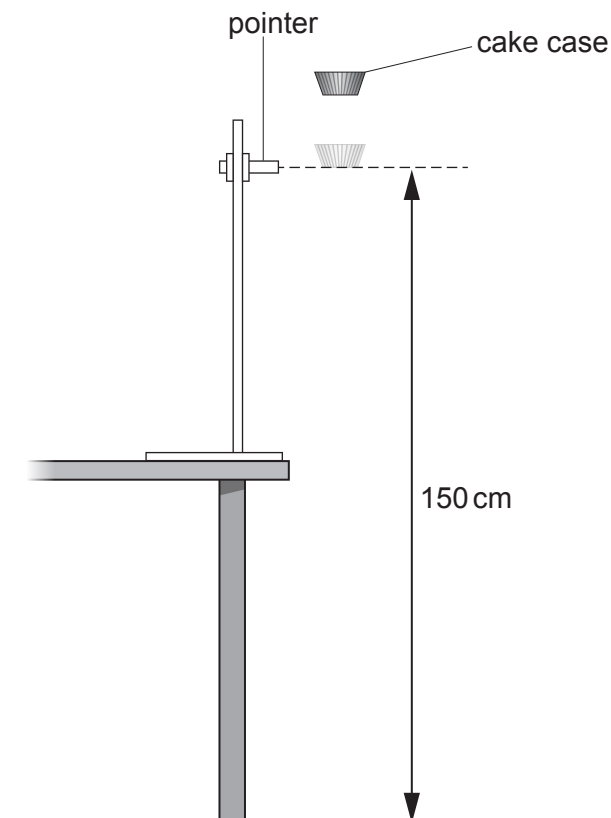
Your task is to investigate the effect of distance on the time taken for an object to fall.

## Apparatus Required

The following apparatus is required for each group: (each group should consist of no more than three candidates).

- 2 × metre ruler (attached) or 1 × tape measure
- 1 × clamp stand and pointer
- 1 × paper cake case
- 1 × stopwatch

## Diagram



**Read the method and answer questions 1.(a) and 1.(b) before carrying out the experiment and recording your results.**

### **Method**

1. Use the metre rulers to set the height of the pointer in the clamp stand at 150 cm above the floor.
2. Take a single cake case.
3. Drop the cake case approximately 20 cm above the pointer.
4. Start the stopwatch as the cake case passes the pointer and stop it when it lands on the floor.
5. Record the time taken for it to fall the distance from the pointer to the floor.
6. Repeat steps 3–5 two more times to get three results in total.
7. Repeat steps 2–6 with the pointer set at heights of 130 cm, 110 cm, 90 cm, 70 cm and 50 cm above the floor.



**SECTION A**Answer **all** questions.

1. (a) State a hypothesis for this experiment. [1]

.....

.....

- (b) Complete the risk assessment below for this experiment. [1]

HAZARD	RISK	CONTROL MEASURE

You may record raw results in the space below.



(c) Present your results in a table. Include all of your results.

[4]

Examiner  
only


**END OF PAPER**

6





**BLANK PAGE**

**PLEASE DO NOT WRITE  
ON THIS PAGE**



**BLANK PAGE**

**PLEASE DO NOT WRITE  
ON THIS PAGE**

